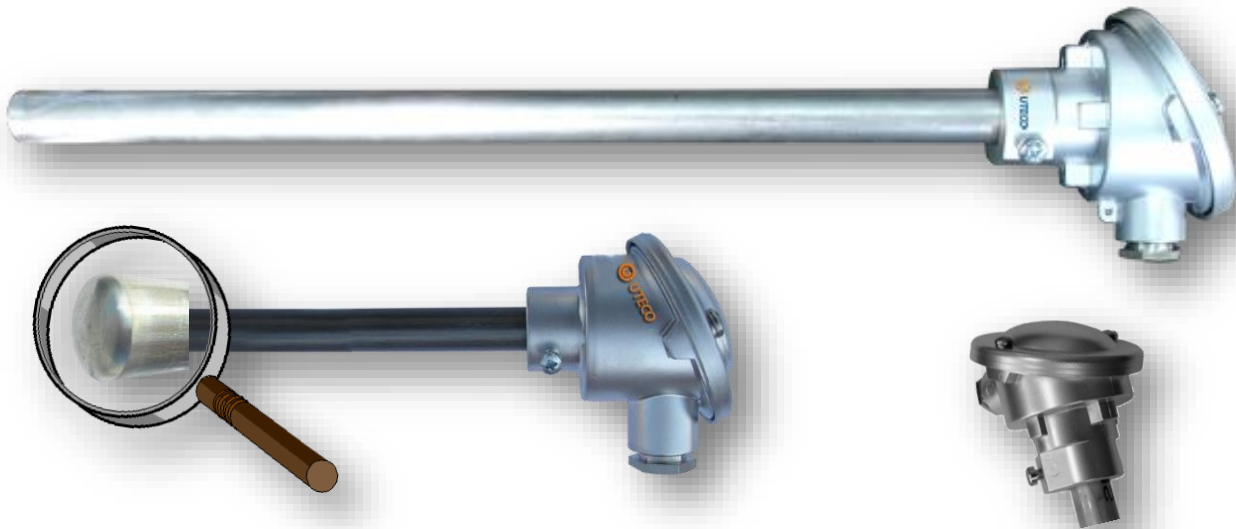


## Series BM/30 & AM/10 – High temperature sensor with terminal head form BUZ or A.

BM/30 High Temperature probes with terminal Head B  
 AM/10 High Temperature probes with terminal Head A

### Application:

**General Purpose.** Used for measuring temperatures in liquids and gases. Application includes heating, installations oven, furnaces and plant engineering. Mounted with either sliding flange or with compression fitting (see section accessories)



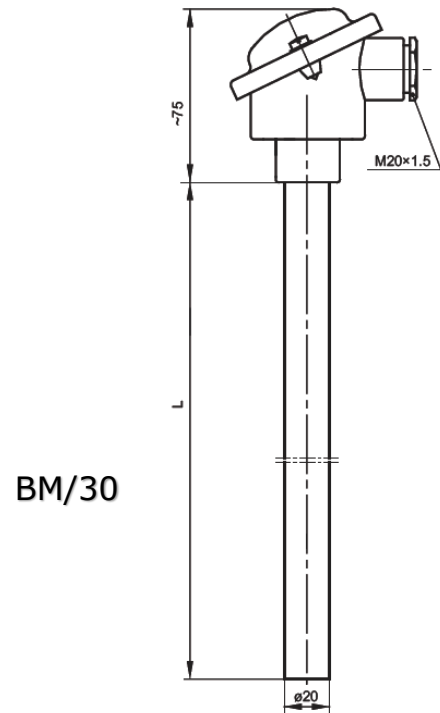
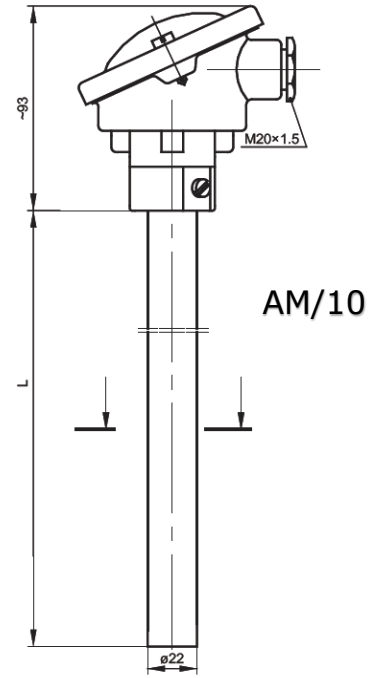
### Specifications

<b>Type and tolerances:</b>	The measuring insert is fitted with thermocouple Type K,J, E , N ,R , S or B according to DIN EN 60584. class 1
<b>Outer protective tube:</b>	Heat – proof steel according to DIN 43720 Available with single or double thermocouple
<b>Process attachment:</b>	Adjustable flange or coupling. Gas- proof ceramic internal tube protects thermocouple against pollution.
<b>Probe diameter :</b>	Ø15 mm
<b>Internal tube</b>	ceramic c610 or c710
<b>Terminal head:</b>	form BUZ or A , die cast aluminum M20x1.5 m , IP65 ambient temperature -40 to 100° C
<b>Temperature Range:</b>	0°-1400° C

### Ordering Code

<b>BM30</b>	1	2	3	4	5	6	7	8	9

1	Measuring insert:	Type K max +1200°C Type J max + 800°C Type N max +1200°C Type E max + 800° C Type S max + 1600°C Type R max + 1600°C
2	Number of thermocouple:	1x TC 2 x TC Other specify
3	Probe diameter :	Ø10 mm Ø13 mm Ø15 mm Ø22 mm Other specify
4	Immersion length:	250 mm                      1000 mm 350 mm                      1400 mm 400 mm                      Other specify 700 mm
5	Outside sheath material :	316 Ti 14841 14749 Inconell 600 KANTHAL AF
6	Internal sheath material:	KER 610 KER 710
7	Process connection :	½ BSP (adjust) ¾ BSP (adjust) 1" BSP (adjust) Ø15 flange Ø22 flange
8	Program transmitter:	4-20mA 00
9	Connection Head:	Form BUZ (Standard) IP65 Form KNE IP68 Form B IP65 Form BUZH IP65 From A22 IP55 (see accessories connection)
10	Temperature range:	0° -800°C 0° -1200°C 0° -1400°C



Ordering Example:

Ordering Code

<b>BM30</b>	1	2	3	4	5	6	7	8	9	10
	K	1xTC	1	40	1484	KER610	3/4	00	BUZ	0-1200°C